



Kenbotong Technology Co., Ltd.

SPECIFICATION

Vendor Name	Shenzhen kenhaitong antenna technology co, Ltd.				
Customer Name	Particle				
Sample Name	JHT-PD-6 ANTENNA				
Part Number					
Specification					
Inspection Item	Performance	Total Appearance	structure	Others	Inspection Result
Remark					
QA Audit		Engineer Audit		Sales Confirm	
The following are filled by Customer					
Customer Evaluation					
Signation/ Chapter by Customer	date:				



Kenbotong Technology Co., Ltd.

1、Antenna Picture

Kenbotong Technology Co., Ltd.



Kenbotong Technology Co., Ltd.

2.Measurement information

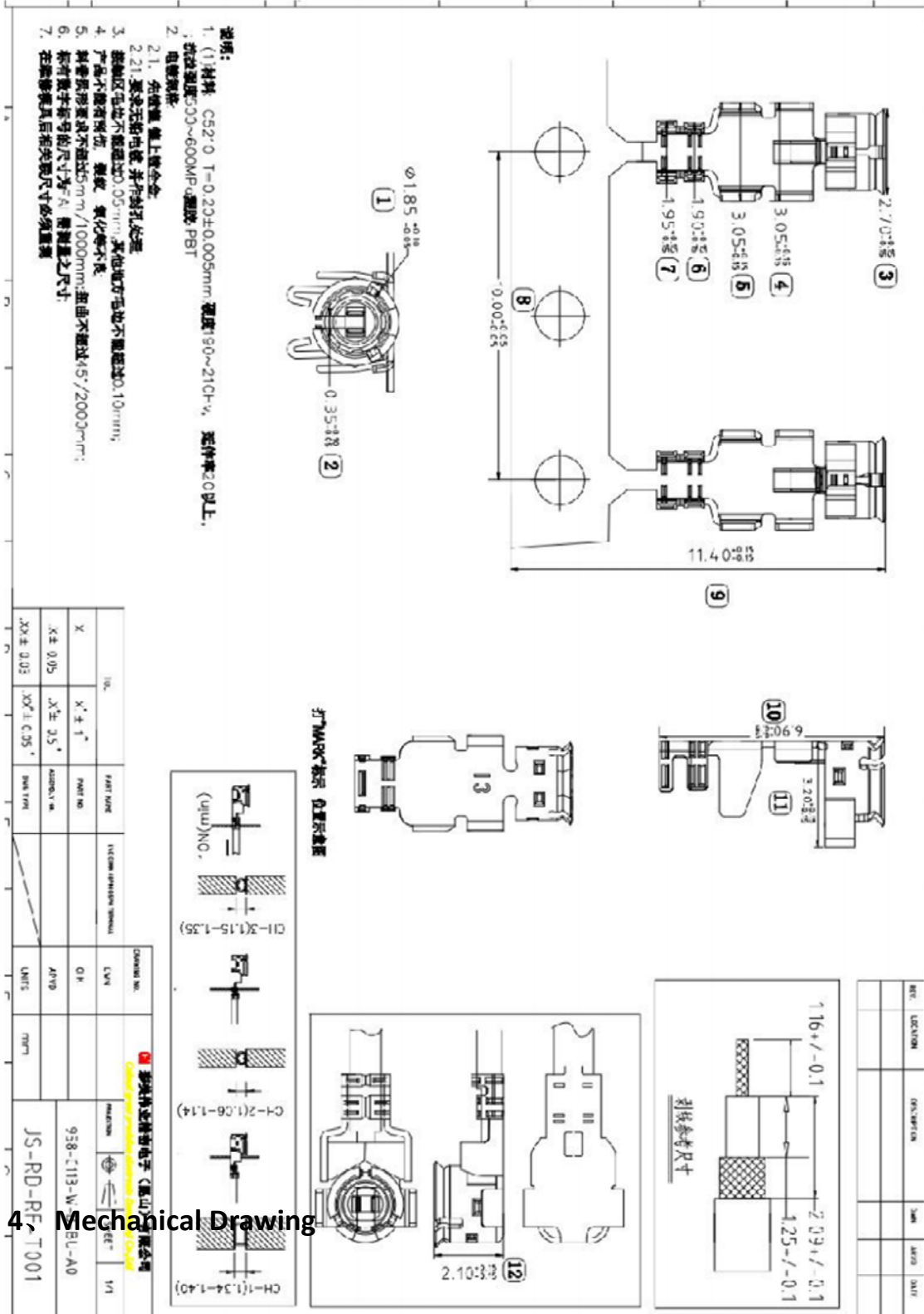
Band	NFC
Operating Frequency (MHz)	13.56
Inductance (μ H)	1.5 \pm 10%
Q-Factor min.	40
DC Resistance max. (Ω)	1
Impedance with matching network (Ω)	80
Self Resonance Frequency (MHz)	60

MECHANICAL	
Dimensions (mm)	37*12*0.2 mm
Material	Flexible Polymer
Connector and Cable	U.FL and 1.13mm mini coax
Cable Length	98 mm

ENVIRONMENTAL	
Operation Temperature	-40 $^{\circ}$ C to 85 $^{\circ}$ C
Storage Temperature	-40 $^{\circ}$ C to 85 $^{\circ}$ C
Relative Humidity	40 $^{\circ}$ C to 95 $^{\circ}$ C
ROHS Compliant	YES

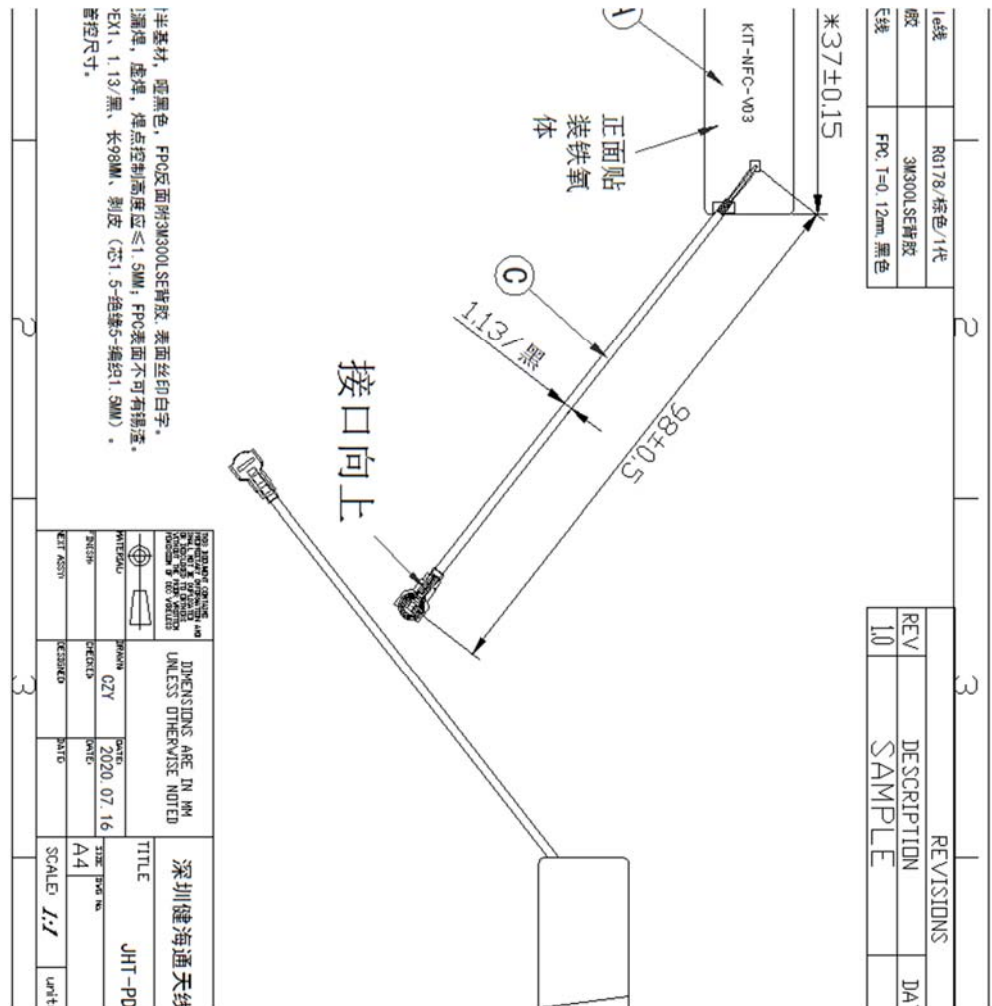
Kenbotong Technology Co., Ltd.

3、IPEX/U.FL



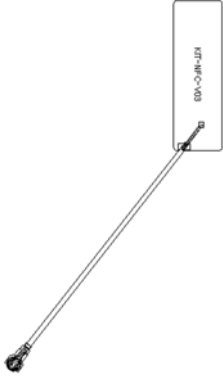
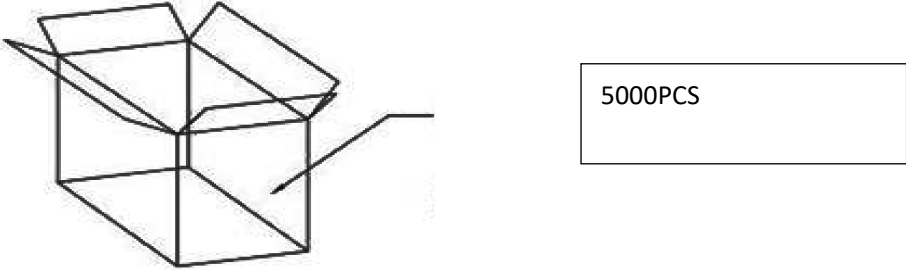
4 Mechanical Drawing

Kenbotong Technology Co., Ltd.



5、Packaging

Kenbotong Technology Co., Ltd.

Packaging					
Customer Name:particle		name: G142-10005-A		Code:	TEST: A
S T E P S	Code	name	size	quantities	
	PE	PE bag	230*330*0.1 2	500/5000	
	SYC-BZ-01	Paper box	270*250*13 0	1/5000	
N O T I C E					1.Gloves must be worn during installation
					
compile		approval		MADE	DATE